



# LED Backlit Mirror service manual

## IMPORTANT WARNING

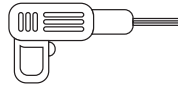
**Warning: Always switch off the electrical supply at the mains during installation and maintenance.**

**Do not switch on the electrical supply at the mains until the end of the installation.**

## TOOLS REQUIRED



Tape Measure



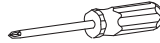
Electronic Drill



Spirit level



Pencil



Philips Screwdriver



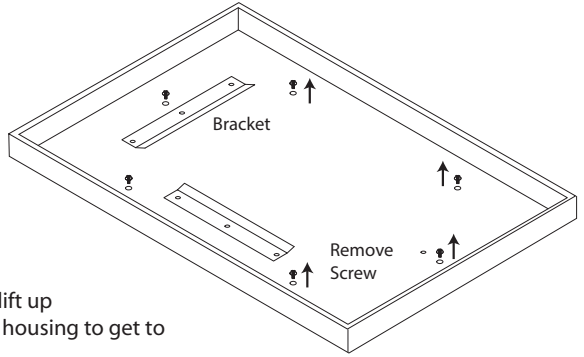
Hammer

- This product is fragile and easily breaks with glass, be cautious while fitting or handling to prevent personal injury or damage. If the glass is broken, please stop using it and replace it with the manufacturer. Ensure the mounting surface is dry and strong enough to bear four times the weight of the product for safe fitting.
- Special care should be taken when drilling walls to avoid hidden pipes or electrical cables.
- This product covers the outlet box and the wirings after installation.
- Wipe clean with a soft dry cloth. Never use abrasives or chemical cleaners.
- Please put a soft cushion under the mirror while you take the mirror down from the wall.

# How to Open the mirror

## 48" or smaller mirror with metal concealed box

1. Prepare a big soft fabric and place on a flat surface.
2. Gently lay the mirror with the glass facing down on the soft surface.
3. Unscrew all the screws that has washer on the back of the metal housing.
4. Now the metal housing should be loosen from the glass, slowly lift up about 3" from the bottom of the housing to get to the wires on the touch sensor
5. Make sure to disconnect (unplugged) all the touch sensor wires before lifting the metal housing.

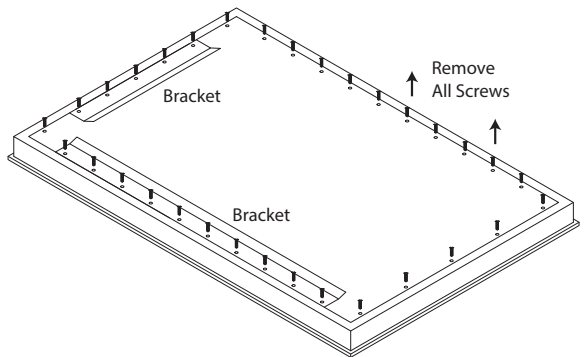


*Go to Page 4 : How to Replace Touch Sensor Connector*

## 88" mirror & New generation M12 with Aluminum framing

**Suggestion:** Have two adult lifting up the mirror

1. Prepare a big soft fabric and place on a flat surface.
2. Gently lay the mirror with the glass facing down on the soft surface.
3. Unscrew all the screws that has washer on the back of the metal housing. Once all screws are removed, the panel should be able to be lifted up.



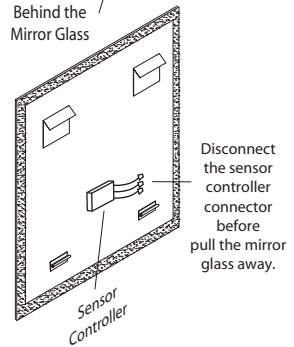
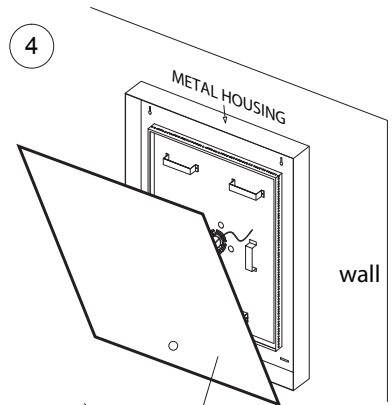
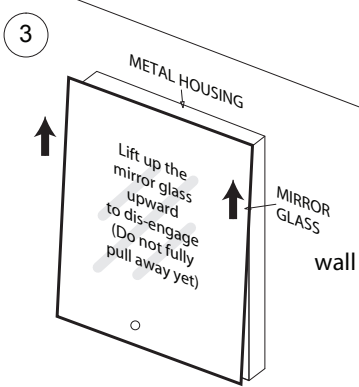
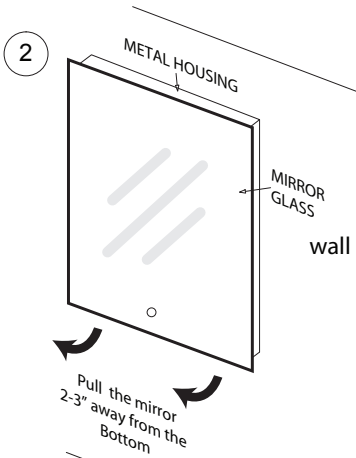
*Go to Page 4 : How to Replace Touch Sensor Connector*

# How to Open the mirror

## 48" - 72" with Metal Housing separated from the glass

### **Suggestion: Have two adult lifting up the mirror**

1. Prepare a big soft fabric and place on the vanity surface.
2. You are facing the mirror. With both hands grab the bottom of the mirror then pull the mirror towards you away about 2 - 3" from the metal housing in which has two catches behind the mirror glass.
3. With both hands, lift up the mirror glass slowly upward about 2 - 3" to disconnect the hook from the housing.
4. DO NOT pull away (disconnect) the housing yet. Have another person unplug the touch sensor wires, once the wires are disconnected; the mirror glass is okay to be removed.



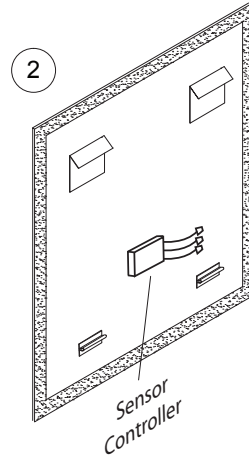
Go to Page 4 : How to Replace Touch Sensor Connector

# How to remove the Touch Sensor Controller

1. After opening the mirror and disconnect all the connector from the touch sensor (See instruction on page 1 or 2 for your mirror model) aa
2. Carefully flip the mirror glass over and rest on smooth flat surface. You can see the touch sensor attached on the back of the mirror glass.
3. Use any dull tool such as a plastic ruler or scraper to remove the rubbery glue on the side of the cover. **DO NOT** use any sharp object on the back of the mirror where the mirror reflective layer would be damaged.

Clear the rubbery glue the gently pull the plastic housing away from mirror glass.

Back view of Mirror Glass



4. Use a hot air blower (heat gun or hair dryer) to blow at the front of the glass where the touch sensor is located behind, blow 1-3 mins (depends on the heat gun temperature), until the glass is more than warm, a little hot to touch.



5. Now you can pull the sensor apart from the plastic housing and the bare board. (Note: the touch sensor consists the electrical board and a clear plastic glue board, which is the bonding between the glass and the electrical board). All three pieces should be removed away from the glass by now.



# How to remove the Touch Sensor Controller

4. Use glass cleaner to clean off the residue.
5. Replace the new touch sensor:  
Peel off the sticker protector on the back of the new touch sensor and place it onto the clear plastic.
6. For the plastic housing cover, it is recommend to put it back with a regular silico adhesive but it is not necessary to put the cover back to the touch sensor.
7. Reconnect the sensor cables and carefully hang the mirror glass back to the housing frame.

